



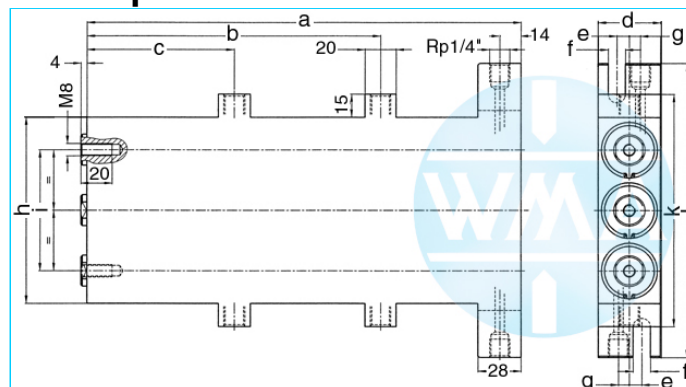
Welding cylinder

Triplex with retract and working stroke

Version: 2011-01

**bilateral air connection,
double-stage pressurized**

undamped



Nominal size 025

S	WS	a	b	c	d	e	f	g	h	i	k	l	Force*	Order-number
50	30	348	248	125	30	7	11	7	90	60	115	150	0.26 kN	108.121.124.025.050.20
60	20	358	248	125	30	7	11	7	90	60	115	150	0.26 kN	108.121.124.025.060.20
70	30	408	288	145	30	7	11	7	90	60	115	150	0.26 kN	108.121.124.025.070.20
80	20	418	288	145	30	7	11	7	90	60	115	150	0.26 kN	108.121.124.025.080.20
90	40	488	348	175	30	7	11	7	90	60	115	150	0.26 kN	108.121.124.025.090.20
100	30	498	348	175	30	7	11	7	90	60	115	150	0.26 kN	108.121.124.025.100.20
110	40	548	388	195	30	7	11	7	90	60	115	150	0.26 kN	108.121.124.025.110.20

S = retract, WS = working stroke, *at 1 bar pressure

Nominal size 032

S	WS	a	b	c	d	e	f	g	h	i	k	l	Force*	Order-number
50	30	348	248	125	40	8	11	7	120	78	150	190	0.45 kN	108.121.124.032.050.20
60	20	358	248	125	40	8	11	7	120	78	150	190	0.45 kN	108.121.124.032.060.20
70	30	408	288	145	40	8	11	7	120	78	150	190	0.45 kN	108.121.124.032.070.20
80	20	418	288	145	40	8	11	7	120	78	150	190	0.45 kN	108.121.124.032.080.20
90	40	488	348	157	40	8	11	7	120	78	150	190	0.45 kN	108.121.124.032.090.20
100	30	498	348	157	40	8	11	7	120	78	150	190	0.45 kN	108.121.124.032.100.20
110	40	548	388	195	40	8	11	7	120	78	150	190	0.45 kN	108.121.124.032.110.20

S = retract, WS = working stroke, *at 1 bar pressure

Nominal size 034

S	WS	a	b	c	d	e	f	g	h	i	k	l	Force*	Order-number
50	30	348	248	125	40	8	11	7	120	78	150	190	0.51 kN	108.121.124.034.050.20
60	20	358	248	125	40	8	11	7	120	78	150	190	0.51 kN	108.121.124.034.060.20
70	30	408	288	145	40	8	11	7	120	78	150	190	0.51 kN	108.121.124.034.070.20
80	20	418	288	145	40	8	11	7	120	78	150	190	0.51 kN	108.121.124.034.080.20
90	40	488	348	157	40	8	11	7	120	78	150	190	0.51 kN	108.121.124.034.090.20
100	30	498	348	157	40	8	11	7	120	78	150	190	0.51 kN	108.121.124.034.100.20
110	40	548	388	195	40	8	11	7	120	78	150	190	0.51 kN	108.121.124.034.110.20

S = retract, WS = working stroke, *at 1 bar pressure

We reserve the right to make changes which are in the interest of technical progress.

© by WMA Schmidt & Bittner GmbH, Baumwaide 23, D-74360 Illfeld-Auenstein, Tel. +49 7062 9066-0, Fax +49 7062 9066-20

info@wma-sb.de or wma-sb@t-online.de, http://www.wma-sb.de

Cylinder-Triplex-1



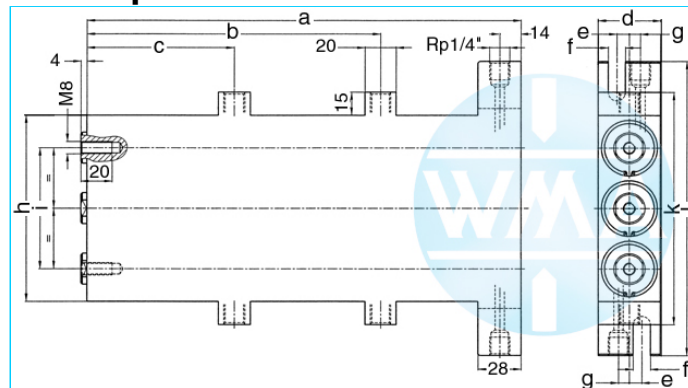
Welding cylinder

Triplex with retract and working stroke

Version: 2011-01

**bilateral air connection,
double-stage pressurized**

undamped



Nominal size 038

S	WS	a	b	c	d	e	f	g	h	i	k	l	Force*	Order-number
50	30	348	248	125	48	10	13	8	150	100	174	210	0.6 kN	108.121.124.038.050.30
60	20	358	248	125	48	10	13	8	150	100	174	210	0.6 kN	108.121.124.038.060.30
70	30	408	288	145	48	10	13	8	150	100	174	210	0.6 kN	108.121.124.038.070.30
80	20	418	288	145	48	10	13	8	150	100	174	210	0.6 kN	108.121.124.038.080.30
90	40	488	348	175	48	10	13	8	150	100	174	210	0.6 kN	108.121.124.038.090.30
100	30	498	348	175	48	10	13	8	150	100	174	210	0.6 kN	108.121.124.038.100.30
110	40	548	388	195	48	10	13	8	150	100	174	210	0.6 kN	108.121.124.038.110.30

S = retract, WS = working stroke, *at 1 bar pressure

Nominal size 044

S	WS	a	b	c	d	e	f	g	h	i	k	l	Force*	Order-number
50	30	348	248	125	52	10	13	8	152	100	174	210	0.84 kN	108.121.124.044.050.30
60	20	358	248	125	52	10	13	8	152	100	174	210	0.84 kN	108.121.124.044.060.30
70	30	408	288	145	52	10	13	8	152	100	174	210	0.84 kN	108.121.124.044.070.30
80	20	418	288	145	52	10	13	8	152	100	174	210	0.84 kN	108.121.124.044.080.30
90	40	488	348	175	52	10	13	8	152	100	174	210	0.84 kN	108.121.124.044.090.30
100	30	498	348	175	52	10	13	8	152	100	174	210	0.84 kN	108.121.124.044.100.30
110	40	548	388	195	52	10	13	8	152	100	174	210	0.84 kN	108.121.124.044.150.30

S = retract, WS = working stroke, *at 1 bar pressure

Nominal size 058

S	WS	a	b	c	d	e	f	g	h	i	k	l	Force*	Order-number
36	30	348	248	125	70	10	13	8	210	140	234	260	1.5 kN	108.121.124.058.050.30
50	20	358	248	125	70	10	13	8	210	140	234	260	1.5 kN	108.121.124.058.060.30
65	30	408	288	145	70	10	13	8	210	140	234	260	1.5 kN	108.121.124.058.070.30
80	20	418	288	145	70	10	13	8	210	140	234	260	1.5 kN	108.121.124.058.080.30
100	40	488	348	175	70	10	13	8	210	140	234	260	1.5 kN	108.121.124.058.090.30
130	30	498	348	175	70	10	13	8	210	140	234	260	1.5 kN	108.121.124.058.100.30
150	40	548	388	195	70	10	13	8	210	140	234	260	1.5 kN	108.121.124.058.110.30

S = retract, WS = working stroke, *at 1 bar pressure

We reserve the right to make changes which are in the interest of technical progress.

© by WMA Schmidt & Bittner GmbH, Baumwaide 23, D-74360 Illfeld-Auenstein, Tel. +49 7062 9066-0, Fax +49 7062 9066-20

info@wma-sb.de or wma-sb@t-online.de, <http://www.wma-sb.de>

Cylinder-Triplex-2



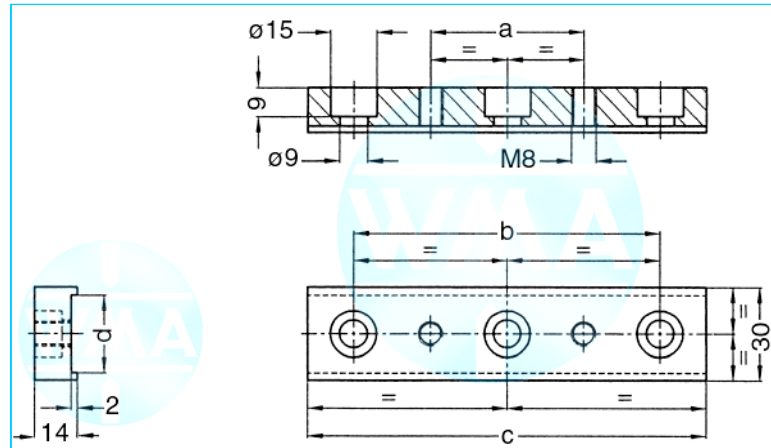
Welding cylinder

Triplex with retract and working stroke

Version: 2011-01

Holding plate for Triplex cylinder

For Cylinder piston diameter (Nominal size) 25,32, 34, 38, 44 and 58 mm

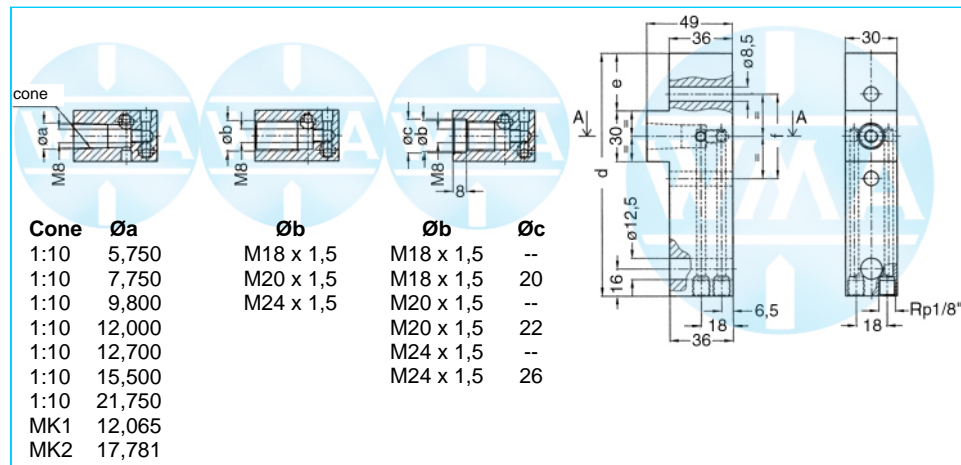


Piston diameter

	a	b	c	d
25	--	60	80	17
32, 34	50	78	98	17
38, 44	50	100	130	25
58	50	140	170	25

Electrode holder for Triplex cylinder

For Cylinder piston diameter (Nominal size) 25,32, 34, 38, 44 and 58 mm



Cone	Øa	Øb	Øb	Øc
1:10	5,750	M18 x 1,5	M18 x 1,5	--
1:10	7,750	M20 x 1,5	M18 x 1,5	20
1:10	9,800	M24 x 1,5	M20 x 1,5	--
1:10	12,000		M20 x 1,5	22
1:10	12,700		M24 x 1,5	--
1:10	15,500		M24 x 1,5	26
1:10	21,750			
MK1	12,065			
MK2	17,781			

Piston diameter

	d	e	f
25	119	25	60
32, 34	143	34	50
38, 44	175	50	50
58	224	70	50

We reserve the right to make changes which are in the interest of technical progress.

© by WMA Schmidt & Bittner GmbH, Baumwaide 23, D-74360 Illfeld-Auenstein, Tel. +49 7062 9066-0, Fax +49 7062 9066-20

info@wma-sb.de or wma-sb@t-online.de, http://www.wma-sb.de

Cylinder-Triplex-3