



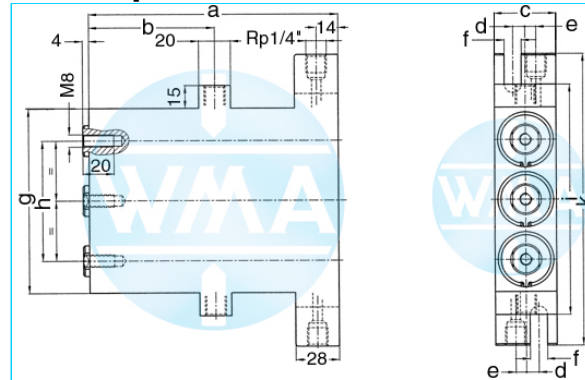
welding cylinder

Triplex

Version: 2011-01

**bilateral air connection,
double-stage pressurized**

undamped



Nominal size 025

Stroke	a	b	c	d	e	f	g	h	i	k	Force*	Order-number
36	160	81	30	7	7	11	90	60	115	150	0.26 kN	108.120.121.025.036.20
50	188	95	30	7	7	11	90	60	115	150	0.26 kN	108.120.121.025.050.20
65	218	110	30	7	7	11	90	60	115	150	0.26 kN	108.120.121.025.065.20
80	248	125	30	7	7	11	90	60	115	150	0.26 kN	108.120.121.025.080.20
100	288	145	30	7	7	11	90	60	115	150	0.26 kN	108.120.121.025.100.20
130	348	175	30	7	7	11	90	60	115	150	0.26 kN	108.120.121.025.130.20
150	388	195	30	7	7	11	90	60	115	150	0.26 kN	108.120.121.025.150.20

*at 1 bar pressure

Nominal size 032

Stroke	a	b	c	d	e	f	g	h	i	k	Force*	Order-number
36	160	81	40	8	7	11	120	78	150	190	0.45 kN	108.120.121.032.036.20
50	188	95	40	8	7	11	120	78	150	190	0.45 kN	108.120.121.032.050.20
65	218	110	40	8	7	11	120	78	150	190	0.45 kN	108.120.121.032.065.20
80	248	125	40	8	7	11	120	78	150	190	0.45 kN	108.120.121.032.080.20
100	288	145	40	8	7	11	120	78	150	190	0.45 kN	108.120.121.032.100.20
130	348	175	40	8	7	11	120	78	150	190	0.45 kN	108.120.121.032.130.20
150	388	195	40	8	7	11	120	78	150	190	0.45 kN	108.120.121.032.150.20

*at 1 bar pressure

Nominal size 034

Stroke	a	b	c	d	e	f	g	h	i	k	Force*	Order-number
36	160	81	40	8	7	11	120	78	150	190	0.51 kN	108.120.121.034.036.20
50	188	95	40	8	7	11	120	78	150	190	0.51 kN	108.120.121.034.050.20
65	218	110	40	8	7	11	120	78	150	190	0.51 kN	108.120.121.034.065.20
80	248	125	40	8	7	11	120	78	150	190	0.51 kN	108.120.121.034.080.20
100	288	145	40	8	7	11	120	78	150	190	0.51 kN	108.120.121.034.100.20
130	348	175	40	8	7	11	120	78	150	190	0.51 kN	108.120.121.034.130.20
150	388	195	40	8	7	11	120	78	150	190	0.51 kN	108.120.121.034.150.20

*at 1 bar pressure

We reserve the right to make changes which are in the interest of technical progress.

© by WMA Schmidt & Bittner GmbH, Baumwaide 23, D-74360 Illfeld-Auenstein, Tel. +49 7062 9066-0, Fax +49 7062 9066-20

info@wma-sb.de or wma-sb@t-online.de, <http://www.wma-sb.de>

Cylinder-Triplex-1



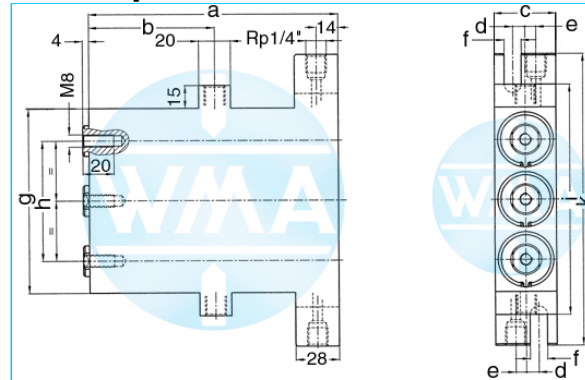
welding cylinder

Triplex

Version: 2011-01

**bilateral air connection,
double-stage pressurized**

undamped



Nominal size 038

Stroke	a	b	c	d	e	f	g	h	i	k	Force*	Order-number
36	160	81	48	10	8	13	150	100	174	210	0.6 kN	108.120.121.038.036.30
50	188	95	48	10	8	13	150	100	174	210	0.6 kN	108.120.121.038.050.30
65	218	110	48	10	8	13	150	100	174	210	0.6 kN	108.120.121.038.065.30
80	248	125	48	10	8	13	150	100	174	210	0.6 kN	108.120.121.038.080.30
100	288	145	48	10	8	13	150	100	174	210	0.6 kN	108.120.121.038.100.30
130	348	175	48	10	8	13	150	100	174	210	0.6 kN	108.120.121.038.130.30
150	388	195	48	10	8	13	150	100	174	210	0.6 kN	108.120.121.038.150.30

*at 1 bar pressure

Nominal size 044

Stroke	a	b	c	d	e	f	g	h	i	k	Force*	Order-number
36	160	81	52	10	8	13	152	100	174	210	0.84 kN	108.120.121.044.036.30
50	188	95	52	10	8	13	152	100	174	210	0.84 kN	108.120.121.044.050.30
65	218	110	52	10	8	13	152	100	174	210	0.84 kN	108.120.121.044.065.30
80	248	125	52	10	8	13	152	100	174	210	0.84 kN	108.120.121.044.080.30
100	288	145	52	10	8	13	152	100	174	210	0.84 kN	108.120.121.044.100.30
130	348	175	52	10	8	13	152	100	174	210	0.84 kN	108.120.121.044.130.30
150	388	195	52	10	8	13	152	100	174	210	0.84 kN	108.120.121.044.150.30

*at 1 bar pressure

Nominal size 058

Stroke	a	b	c	d	e	f	g	h	i	k	Force*	Order-number
36	160	81	70	10	8	13	210	140	234	260	1.5 kN	108.120.121.058.036.30
50	188	95	70	10	8	13	210	140	234	260	1.5 kN	108.120.121.058.050.30
65	218	110	70	10	8	13	210	140	234	260	1.5 kN	108.120.121.058.065.30
80	248	125	70	10	8	13	210	140	234	260	1.5 kN	108.120.121.058.080.30
100	288	145	70	10	8	13	210	140	234	260	1.5 kN	108.120.121.058.100.30
130	348	175	70	10	8	13	210	140	234	260	1.5 kN	108.120.121.058.130.30
150	388	195	70	10	8	13	210	140	234	260	1.5 kN	108.120.121.058.150.30

*at 1 bar pressure

We reserve the right to make changes which are in the interest of technical progress.

© by WMA Schmidt & Bittner GmbH, Baumwaide 23, D-74360 Illfeld-Auenstein, Tel. +49 7062 9066-0, Fax +49 7062 9066-20

info@wma-sb.de or wma-sb@t-online.de, <http://www.wma-sb.de>

Cylinder-Triplex-2



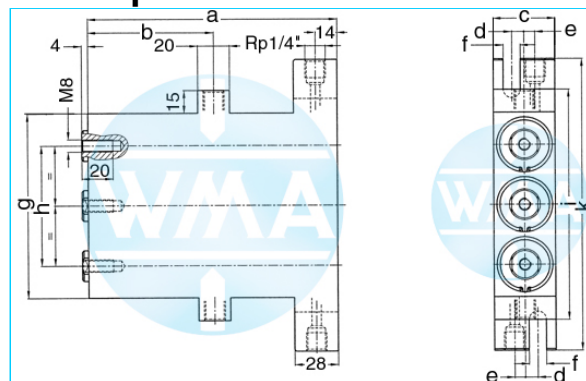
welding cylinder

Triplex

Version: 2011-01

**bilateral air connection,
three-stage pressurized**

undamped



Nominal size 025

Stroke	a	b	c	d	e	f	g	h	i	k	Force*	Order-number
36	217	138	30	7	7	11	90	60	115	150	0.35 kN	108.120.131.025.036.20
50	259	166	30	7	7	11	90	60	115	150	0.35 kN	108.120.131.025.050.20
65	304	196	30	7	7	11	90	60	115	150	0.35 kN	108.120.131.025.065.20
80	349	226	30	7	7	11	90	60	115	150	0.35 kN	108.120.131.025.080.20
100	409	266	30	7	7	11	90	60	115	150	0.35 kN	108.120.131.025.100.20
130	499	326	30	7	7	11	90	60	115	150	0.35 kN	108.120.131.025.130.20
150	559	366	30	7	7	11	90	60	115	150	0.35 kN	108.120.131.025.150.20

*at 1 bar pressure

Nominal size 032

Stroke	a	b	c	d	e	f	g	h	i	k	Force*	Order-number
36	217	138	40	8	7	11	120	78	150	190	0.63 kN	108.120.131.032.036.20
50	259	166	40	8	7	11	120	78	150	190	0.63 kN	108.120.131.032.050.20
65	304	196	40	8	7	11	120	78	150	190	0.63 kN	108.120.131.032.065.20
80	349	226	40	8	7	11	120	78	150	190	0.63 kN	108.120.131.032.080.20
100	409	266	40	8	7	11	120	78	150	190	0.63 kN	108.120.131.032.100.20
130	499	326	40	8	7	11	120	78	150	190	0.63 kN	108.120.131.032.130.20
150	559	366	40	8	7	11	120	78	150	190	0.63 kN	108.120.131.032.150.20

*at 1 bar pressure

Nominal size 034

Stroke	a	b	c	d	e	f	g	h	i	k	Force*	Order-number
36	217	138	40	8	7	11	120	78	150	190	0.72 kN	108.120.131.034.036.20
50	259	166	40	8	7	11	120	78	150	190	0.72 kN	108.120.131.034.050.20
65	304	196	40	8	7	11	120	78	150	190	0.72 kN	108.120.131.034.065.20
80	349	226	40	8	7	11	120	78	150	190	0.72 kN	108.120.131.034.080.20
100	409	266	40	8	7	11	120	78	150	190	0.72 kN	108.120.131.034.100.20
130	499	326	40	8	7	11	120	78	150	190	0.72 kN	108.120.131.034.130.20
150	559	366	40	8	7	11	120	78	150	190	0.72 kN	108.120.131.034.150.20

*at 1 bar pressure

We reserve the right to make changes which are in the interest of technical progress.

© by WMA Schmidt & Bittner GmbH, Baumwaide 23, D-74360 Illfeld-Auenstein, Tel. +49 7062 9066-0, Fax +49 7062 9066-20

info@wma-sb.de or wma-sb@t-online.de, <http://www.wma-sb.de>

Cylinder-Triplex-3



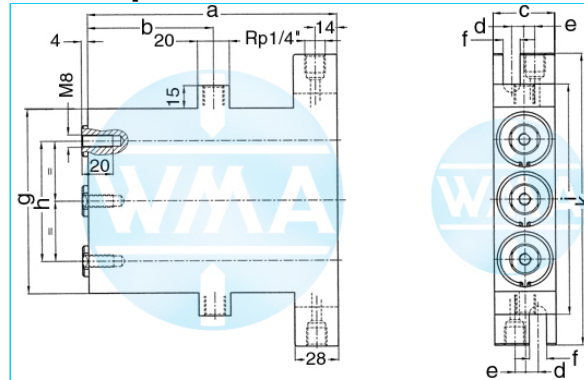
welding cylinder

Triplex

Version: 2011-01

**bilateral air connection,
three-stage pressurized**

undamped



Nominal size 038

Stroke	a	b	c	d	e	f	g	h	i	k	Force*	Order-number
36	217	138	48	10	8	13	150	100	174	210	0.84 kN	108.120.131.038.036.30
50	259	166	48	10	8	13	150	100	174	210	0.84 kN	108.120.131.038.050.30
65	304	196	48	10	8	13	150	100	174	210	0.84 kN	108.120.131.038.065.30
80	349	226	48	10	8	13	150	100	174	210	0.84 kN	108.120.131.038.080.30
100	409	266	48	10	8	13	150	100	174	210	0.84 kN	108.120.131.038.100.30
130	499	326	48	10	8	13	150	100	174	210	0.84 kN	108.120.131.038.130.30
150	559	366	48	10	8	13	150	100	174	210	0.84 kN	108.120.131.038.150.30

*at 1 bar pressure

Nominal size 044

Stroke	a	b	c	d	e	f	g	h	i	k	Force*	Order-number
36	217	138	52	10	8	13	152	100	174	210	1.17 kN	108.120.131.044.036.30
50	259	166	52	10	8	13	152	100	174	210	1.17 kN	108.120.131.044.050.30
65	304	196	52	10	8	13	152	100	174	210	1.17 kN	108.120.131.044.065.30
80	349	226	52	10	8	13	152	100	174	210	1.17 kN	108.120.131.044.080.30
100	409	266	52	10	8	13	152	100	174	210	1.17 kN	108.120.131.044.100.30
130	499	326	52	10	8	13	152	100	174	210	1.17 kN	108.120.131.044.130.30
150	559	366	52	10	8	13	152	100	174	210	1.17 kN	108.120.131.044.150.30

*at 1 bar pressure

Nominal size 058

Stroke	a	b	c	d	e	f	g	h	i	k	Force*	Order-number
36	217	138	70	10	8	13	210	140	234	260	2.16 kN	108.120.131.058.036.30
50	259	166	70	10	8	13	210	140	234	260	2.16 kN	108.120.131.058.050.30
65	304	196	70	10	8	13	210	140	234	260	2.16 kN	108.120.131.058.065.30
80	349	226	70	10	8	13	210	140	234	260	2.16 kN	108.120.131.058.080.30
100	409	266	70	10	8	13	210	140	234	260	2.16 kN	108.120.131.058.100.30
130	499	326	70	10	8	13	210	140	234	260	2.16 kN	108.120.131.058.130.30
150	559	366	70	10	8	13	210	140	234	260	2.16 kN	108.120.131.058.150.30

*at 1 bar pressure

We reserve the right to make changes which are in the interest of technical progress.

© by WMA Schmidt & Bittner GmbH, Baumwaide 23, D-74360 Illfeld-Auenstein, Tel. +49 7062 9066-0, Fax +49 7062 9066-20

info@wma-sb.de or wma-sb@t-online.de, <http://www.wma-sb.de>

Cylinder-Triplex-4



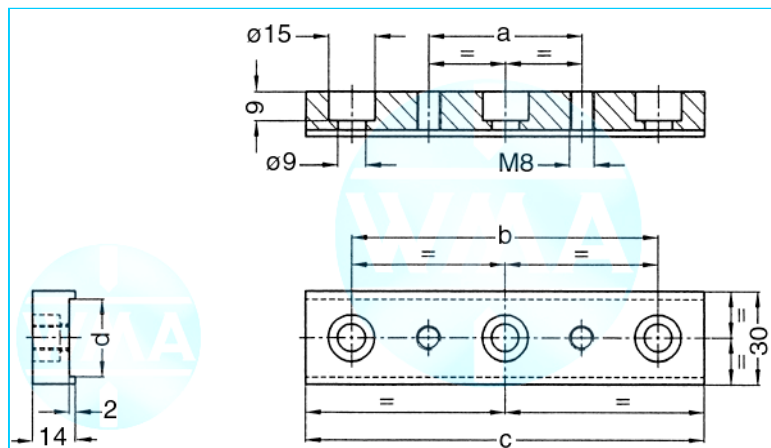
welding cylinder

Triplex

Version: 2011-01

Holding plate for Triplex cylinder

For Cylinder piston diameter (Nominal size) 25,32, 34, 38, 44 and 58 mm

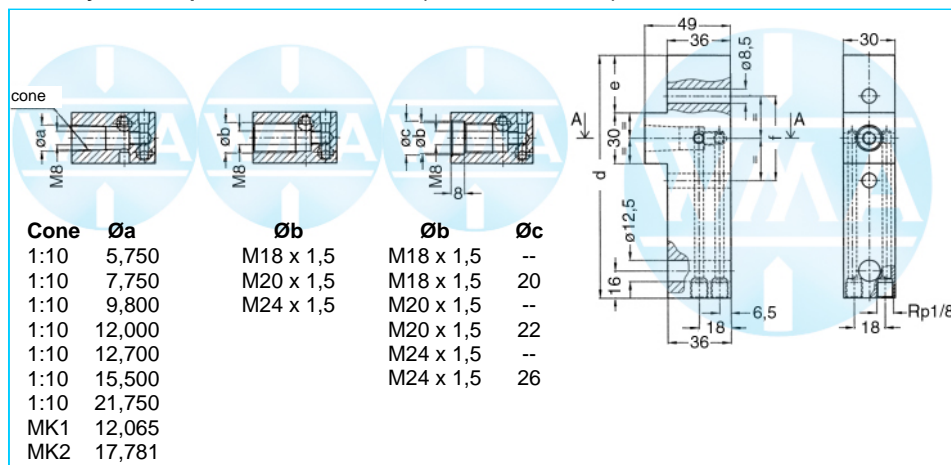


Piston diameter

	a	b	c	d
25	--	60	80	17
32, 34	50	78	98	17
38, 44	50	100	130	25
58	50	140	170	25

Electrode holder for Triplex cylinder

For Cylinder piston diameter (Nominal size) 25,32, 34, 38, 44 and 58 mm



Cone	Øa	Øb	Øb	Øc
1:10	5,750	M18 x 1,5	M18 x 1,5	--
1:10	7,750	M20 x 1,5	M18 x 1,5	20
1:10	9,800	M24 x 1,5	M20 x 1,5	--
1:10	12,000		M20 x 1,5	22
1:10	12,700		M24 x 1,5	--
1:10	15,500		M24 x 1,5	26
1:10	21,750			
MK1	12,065			
MK2	17,781			

Piston diameter

	d	e	f
25	119	25	60
32, 34	143	34	50
38, 44	175	50	50
58	224	70	50

We reserve the right to make changes which are in the interest of technical progress.

© by WMA Schmidt & Bittner GmbH, Baumwaide 23, D-74360 Illfeld-Auenstein, Tel. +49 7062 9066-0, Fax +49 7062 9066-20

info@wma-sb.de or wma-sb@t-online.de, http://www.wma-sb.de

Cylinder-Triplex-5