



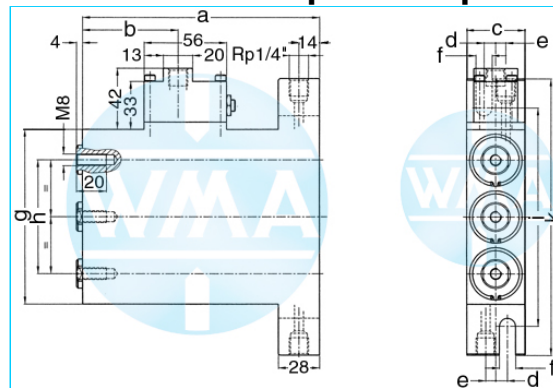
Welding cylinder

Triplex

Version: 2011-01

unilateral air connection,
double-stage pressurized

controllable damped independent of stroke



Nominal size 025

Stroke	a	b	c	d	e	f	g	h	i	k	Force*	Order-number
36	160	63	30	7	7	11	90	60	115	150	0.26 kN	108.110.121.025.036.20
50	188	77	30	7	7	11	90	60	115	150	0.26 kN	108.110.121.025.050.20
65	218	92	30	7	7	11	90	60	115	150	0.26 kN	108.110.121.025.065.20
80	248	107	30	7	7	11	90	60	115	150	0.26 kN	108.110.121.025.080.20
100	288	127	30	7	7	11	90	60	115	150	0.26 kN	108.110.121.025.100.20
130	348	157	30	7	7	11	90	60	115	150	0.26 kN	108.110.121.025.130.20
150	388	177	30	7	7	11	90	60	115	150	0.26 kN	108.110.121.025.150.20

*at 1 bar pressure

Nominal size 032

Stroke	a	b	c	d	e	f	g	h	i	k	Force*	Order-number
36	160	63	40	8	7	11	120	78	150	190	0.45 kN	108.110.121.032.036.20
50	188	77	40	8	7	11	120	78	150	190	0.45 kN	108.110.121.032.050.20
65	218	92	40	8	7	11	120	78	150	190	0.45 kN	108.110.121.032.065.20
80	248	107	40	8	7	11	120	78	150	190	0.45 kN	108.110.121.032.080.20
100	288	127	40	8	7	11	120	78	150	190	0.45 kN	108.110.121.032.100.20
130	348	157	40	8	7	11	120	78	150	190	0.45 kN	108.110.121.032.130.20
150	388	177	40	8	7	11	120	78	150	190	0.45 kN	108.110.121.032.150.20

*at 1 bar pressure

Nominal size 034

Stroke	a	b	c	d	e	f	g	h	i	k	Force*	Order-number
36	160	63	40	8	7	11	120	78	150	190	0.51 kN	108.110.121.034.036.20
50	188	77	40	8	7	11	120	78	150	190	0.51 kN	108.110.121.034.050.20
65	218	92	40	8	7	11	120	78	150	190	0.51 kN	108.110.121.034.065.20
80	248	107	40	8	7	11	120	78	150	190	0.51 kN	108.110.121.034.080.20
100	288	127	40	8	7	11	120	78	150	190	0.51 kN	108.110.121.034.100.20
130	348	157	40	8	7	11	120	78	150	190	0.51 kN	108.110.121.034.130.20
150	388	177	40	8	7	11	120	78	150	190	0.51 kN	108.110.121.034.150.20

*at 1 bar pressure

We reserve the right to make changes which are in the interest of technical progress.

© by WMA Schmidt & Bittner GmbH, Baumwaide 23, D-74360 Illfeld-Auenstein, Tel. +49 7062 9066-0, Fax +49 7062 9066-20

info@wma-sb.de or wma-sb@t-online.de, <http://www.wma-sb.de>

Cylinder-Triplex-1



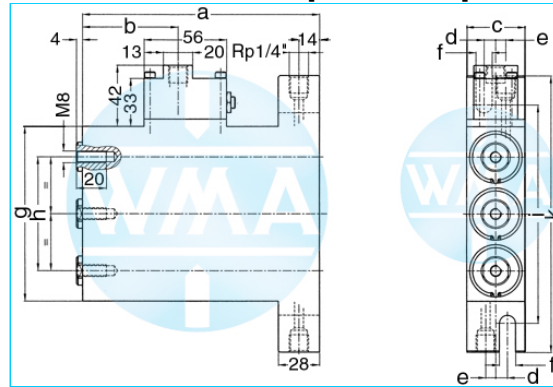
Welding cylinder

Triplex

Version: 2011-01

unilateral air connection,
double-stage pressurized

controllable damped independent of stroke



Nominal size 038

Stroke	a	b	c	d	e	f	g	h	i	k	Force*	Order-number
36	160	63	48	10	8	13	150	100	174	210	0.6 kN	108.110.121.038.036.30
50	188	77	48	10	8	13	150	100	174	210	0.6 kN	108.110.121.038.050.30
65	218	92	48	10	8	13	150	100	174	210	0.6 kN	108.110.121.038.065.30
80	248	107	48	10	8	13	150	100	174	210	0.6 kN	108.110.121.038.080.30
100	288	127	48	10	8	13	150	100	174	210	0.6 kN	108.110.121.038.100.30
130	348	157	48	10	8	13	150	100	174	210	0.6 kN	108.110.121.038.130.30
150	388	177	48	10	8	13	150	100	174	210	0.6 kN	108.110.121.038.150.30

*at 1 bar pressure

Nominal size 044

Stroke	a	b	c	d	e	f	g	h	i	k	Force*	Order-number
36	160	63	52	10	8	13	152	100	174	210	0.84 kN	108.110.121.044.036.30
50	188	77	52	10	8	13	152	100	174	210	0.84 kN	108.110.121.044.050.30
65	218	92	52	10	8	13	152	100	174	210	0.84 kN	108.110.121.044.065.30
80	248	107	52	10	8	13	152	100	174	210	0.84 kN	108.110.121.044.080.30
100	288	127	52	10	8	13	152	100	174	210	0.84 kN	108.110.121.044.100.30
130	348	157	52	10	8	13	152	100	174	210	0.84 kN	108.110.121.044.130.30
150	388	177	52	10	8	13	152	100	174	210	0.84 kN	108.110.121.044.150.30

*at 1 bar pressure

Nominal size 058

Stroke	a	b	c	d	e	f	g	h	i	k	Force*	Order-number
36	160	63	70	10	8	13	210	140	234	260	1.5 kN	108.110.121.058.036.30
50	188	77	70	10	8	13	210	140	234	260	1.5 kN	108.110.121.058.050.30
65	218	92	70	10	8	13	210	140	234	260	1.5 kN	108.110.121.058.065.30
80	248	107	70	10	8	13	210	140	234	260	1.5 kN	108.110.121.058.080.30
100	288	127	70	10	8	13	210	140	234	260	1.5 kN	108.110.121.058.100.30
130	348	157	70	10	8	13	210	140	234	260	1.5 kN	108.110.121.058.130.30
150	388	177	70	10	8	13	210	140	234	260	1.5 kN	108.110.121.058.150.30

*at 1 bar pressure

We reserve the right to make changes which are in the interest of technical progress.

© by WMA Schmidt & Bittner GmbH, Baumwaide 23, D-74360 Illfeld-Auenstein, Tel. +49 7062 9066-0, Fax +49 7062 9066-20

info@wma-sb.de or wma-sb@t-online.de, <http://www.wma-sb.de>

Cylinder-Triplex-2



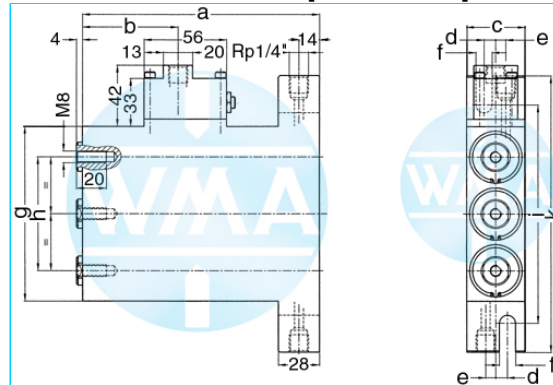
Welding cylinder

Triplex

Version: 2011-01

unilateral air connection,
three-stage pressurized

controllable damped independent of stroke



Nominal size 025

Stroke	a	b	c	d	e	f	g	h	i	k	Force*	Order-number
36	217	120	30	7	7	11	90	60	115	150	0.35 kN	108.110.131.025.036.20
50	259	148	30	7	7	11	90	60	115	150	0.35 kN	108.110.131.025.050.20
65	304	178	30	7	7	11	90	60	115	150	0.35 kN	108.110.131.025.065.20
80	349	208	30	7	7	11	90	60	115	150	0.35 kN	108.110.131.025.080.20
100	409	248	30	7	7	11	90	60	115	150	0.35 kN	108.110.131.025.100.20
130	499	308	30	7	7	11	90	60	115	150	0.35 kN	108.110.131.025.130.20
150	559	348	30	7	7	11	90	60	115	150	0.35 kN	108.110.131.025.150.20

*at 1 bar pressure

Nominal size 032

Stroke	a	b	c	d	e	f	g	h	i	k	Force*	Order-number
36	217	120	40	8	7	11	120	78	150	190	0.63 kN	108.110.131.032.036.20
50	259	148	40	8	7	11	120	78	150	190	0.63 kN	108.110.131.032.050.20
65	304	178	40	8	7	11	120	78	150	190	0.63 kN	108.110.131.032.065.20
80	349	208	40	8	7	11	120	78	150	190	0.63 kN	108.110.131.032.080.20
100	409	248	40	8	7	11	120	78	150	190	0.63 kN	108.110.131.032.100.20
130	499	308	40	8	7	11	120	78	150	190	0.63 kN	108.110.131.032.130.20
150	559	348	40	8	7	11	120	78	150	190	0.63 kN	108.110.131.032.150.20

*at 1 bar pressure

Nominal size 034

Stroke	a	b	c	d	e	f	g	h	i	k	Force*	Order-number
36	217	120	40	8	7	11	120	78	150	190	0.72 kN	108.110.131.034.036.20
50	259	148	40	8	7	11	120	78	150	190	0.72 kN	108.110.131.034.050.20
65	304	178	40	8	7	11	120	78	150	190	0.72 kN	108.110.131.034.065.20
80	349	208	40	8	7	11	120	78	150	190	0.72 kN	108.110.131.034.080.20
100	409	248	40	8	7	11	120	78	150	190	0.72 kN	108.110.131.034.100.20
130	499	308	40	8	7	11	120	78	150	190	0.72 kN	108.110.131.034.130.20
150	559	348	40	8	7	11	120	78	150	190	0.72 kN	108.110.131.034.150.20

*at 1 bar pressure

We reserve the right to make changes which are in the interest of technical progress.

© by WMA Schmidt & Bittner GmbH, Baumwaide 23, D-74360 Illfeld-Auenstein, Tel. +49 7062 9066-0, Fax +49 7062 9066-20

info@wma-sb.de or wma-sb@t-online.de, <http://www.wma-sb.de>

Cylinder-Triplex-3



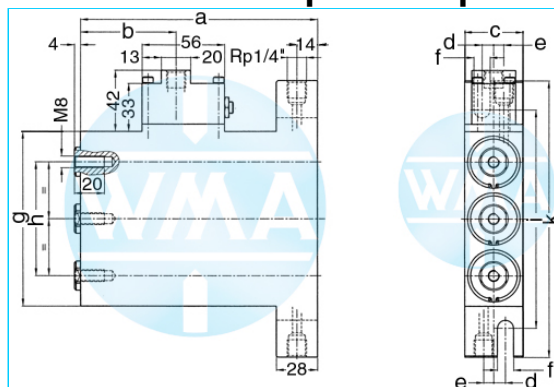
Welding cylinder

Triplex

Version: 2011-01

unilateral air connection,
three-stage pressurized

controllable damped independent of stroke



Nominal size 038

Stroke	a	b	c	d	e	f	g	h	i	k	Force*	Order-number
36	217	120	48	10	8	13	150	100	174	210	0.84 kN	108.110.131.038.036.30
50	259	148	48	10	8	13	150	100	174	210	0.84 kN	108.110.131.038.050.30
65	304	178	48	10	8	13	150	100	174	210	0.84 kN	108.110.131.038.065.30
80	349	208	48	10	8	13	150	100	174	210	0.84 kN	108.110.131.038.080.30
100	409	248	48	10	8	13	150	100	174	210	0.84 kN	108.110.131.038.100.30
130	499	308	48	10	8	13	150	100	174	210	0.84 kN	108.110.131.038.130.30
150	559	348	48	10	8	13	150	100	174	210	0.84 kN	108.110.131.038.150.30

*at 1 bar pressure

Nominal size 044

Stroke	a	b	c	d	e	f	g	h	i	k	Force*	Order-number
36	217	120	52	10	8	13	152	100	174	210	1.17 kN	108.110.131.044.036.30
50	259	148	52	10	8	13	152	100	174	210	1.17 kN	108.110.131.044.050.30
65	304	178	52	10	8	13	152	100	174	210	1.17 kN	108.110.131.044.065.30
80	349	208	52	10	8	13	152	100	174	210	1.17 kN	108.110.131.044.080.30
100	409	248	52	10	8	13	152	100	174	210	1.17 kN	108.110.131.044.100.30
130	499	308	52	10	8	13	152	100	174	210	1.17 kN	108.110.131.044.130.30
150	559	348	52	10	8	13	152	100	174	210	1.17 kN	108.110.131.044.150.30

*at 1 bar pressure

Nominal size 058

Stroke	a	b	c	d	e	f	g	h	i	k	Force*	Order-number
36	217	120	70	10	8	13	210	140	234	260	2.16 kN	108.110.131.058.036.30
50	259	148	70	10	8	13	210	140	234	260	2.16 kN	108.110.131.058.050.30
65	304	178	70	10	8	13	210	140	234	260	2.16 kN	108.110.131.058.065.30
80	349	208	70	10	8	13	210	140	234	260	2.16 kN	108.110.131.058.080.30
100	409	248	70	10	8	13	210	140	234	260	2.16 kN	108.110.131.058.100.30
130	499	308	70	10	8	13	210	140	234	260	2.16 kN	108.110.131.058.130.30
150	559	348	70	10	8	13	210	140	234	260	2.16 kN	108.110.131.058.150.30

*at 1 bar pressure

We reserve the right to make changes which are in the interest of technical progress.

© by WMA Schmidt & Bittner GmbH, Baumwaide 23, D-74360 Illfeld-Auenstein, Tel. +49 7062 9066-0, Fax +49 7062 9066-20

info@wma-sb.de or wma-sb@t-online.de, http://www.wma-sb.de

Cylinder-Triplex-4



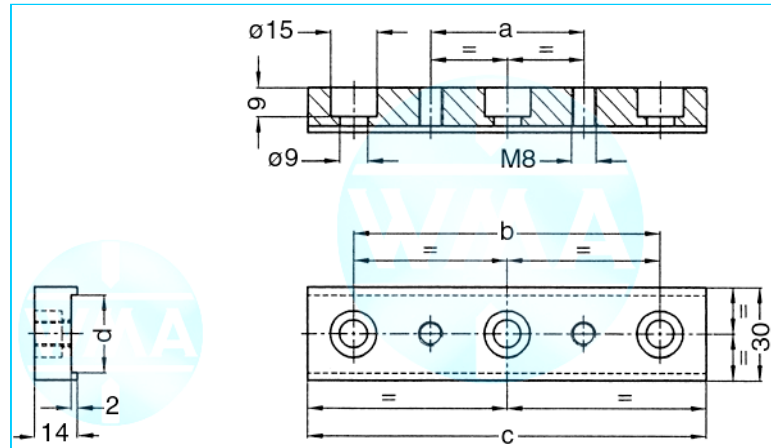
Welding cylinder

Triplex

Version: 2011-01

Holding plate for Triplex cylinder

For Cylinder piston diameter (Nominal size) 25,32, 34, 38, 44 and 58 mm

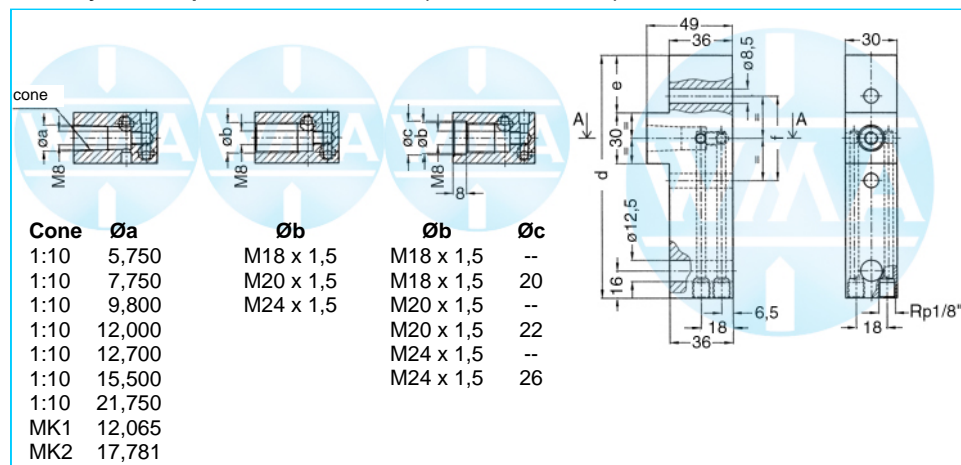


Piston diameter

	a	b	c	d
25	--	60	80	17
32, 34	50	78	98	17
38, 44	50	100	130	25
58	50	140	170	25

Electrode holder for Triplex cylinder

For Cylinder piston diameter (Nominal size) 25,32, 34, 38, 44 and 58 mm



Cone	Øa	Øb	Øb	Øc
1:10	5,750	M18 x 1,5	M18 x 1,5	--
1:10	7,750	M20 x 1,5	M18 x 1,5	20
1:10	9,800	M24 x 1,5	M20 x 1,5	--
1:10	12,000		M20 x 1,5	22
1:10	12,700		M24 x 1,5	--
1:10	15,500		M24 x 1,5	26
1:10	21,750			
MK1	12,065			
MK2	17,781			

Piston diameter

	d	e	f
25	119	25	60
32, 34	143	34	50
38, 44	175	50	50
58	224	70	50

We reserve the right to make changes which are in the interest of technical progress.

© by WMA Schmidt & Bittner GmbH, Baumwaide 23, D-74360 Illfeld-Auenstein, Tel. +49 7062 9066-0, Fax +49 7062 9066-20

info@wma-sb.de or wma-sb@t-online.de, http://www.wma-sb.de

Cylinder-Triplex-5