



# Connection cable

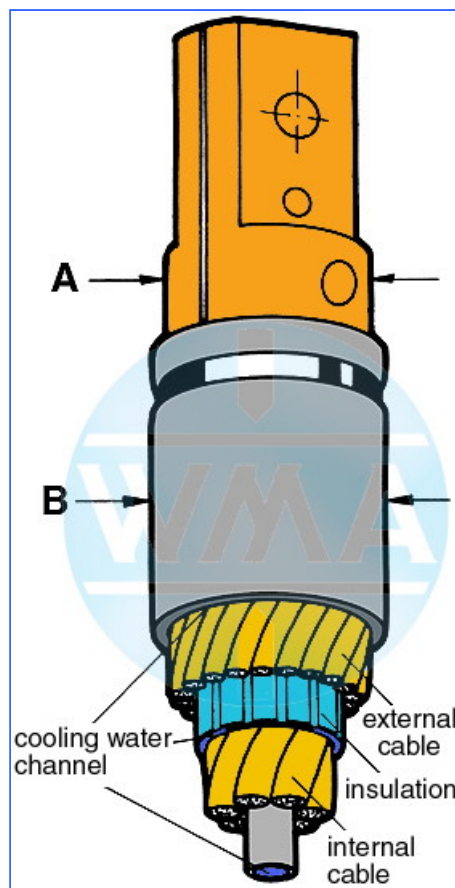
Version: 2011-01

## Double conductor welding cable, coaxial, water cooled.

Also available on request with silver-plated connections!

ADVANTAGES of the coaxial arrangement of current conductors:

- induction-free
- lay free
- very flexible
- long life
- performance factor 100%
- the slight difference that occurs when the copper wires are plaited is really insignificant: the least favourable performance factor approx. 98%.
- avoids copper plaiting breakage which results from magnetic stress in the case of non induction-free cables. Under normal conditions: destruction or any reduction in performance will be due to ageing only.



Length according to data provided.

Cooling: Connection elements  
(curved, nipple and pipe)  
not less than 8 mm inner diameter  
and at least 2 atm.g water pressure.

Order-number example: OK1500450-000

We reserve the right to make changes which are in the interest of technical progress.

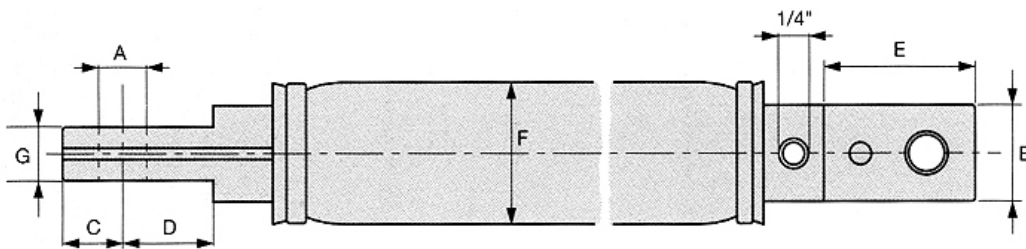
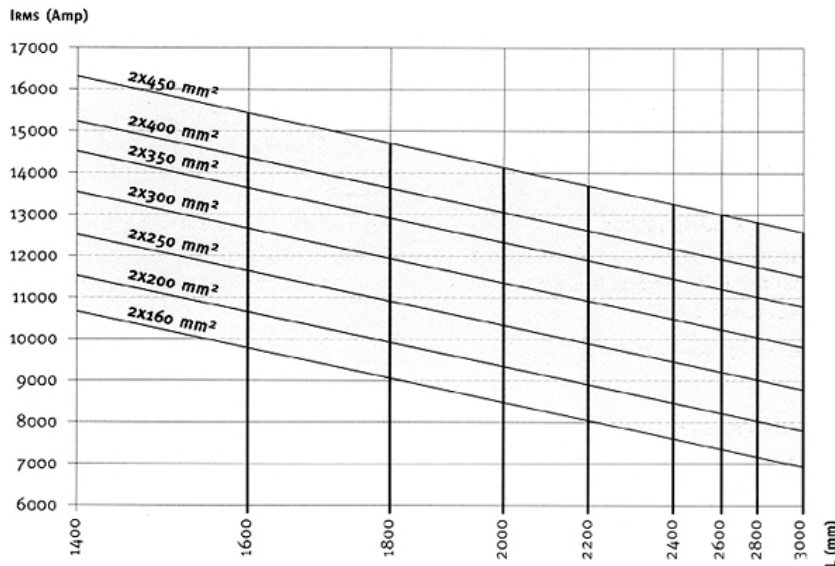
© by WMA Schmidt & Bittner GmbH, Baumwaide 23, D-74360 Illfeld-Auenstein, Tel. +49 7062 9066-0, Fax +49 7062 9066-20  
info@wma-sb.de or wma-sb@t-online.de, <http://www.wma-sb.de>

Cable-coaxial-1



# Connection cable

Version: 2011-01



Cord diameter 0.25 mm

	A	B	C	D	E	F	G
320 mm <sup>2</sup> (2x160)	16.5	37.0	19	33	52	50	20
400 mm <sup>2</sup> (2x200)	16.5	40.5	19	33	52	55	20
500 mm <sup>2</sup> (2x250)	16.5	44.5	19	33	52	60	20
600 mm <sup>2</sup> (2x300)	16.5	49.0	28	39	67	66	22

Length from 800 up to 3000 mm

We reserve the right to make changes which are in the interest of technical progress.

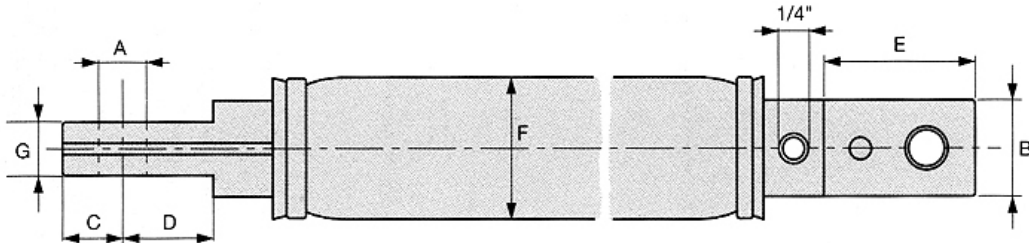
© by WMA Schmidt & Bittner GmbH, Baumwaide 23, D-74360 Illfeld-Auenstein, Tel. +49 7062 9066-0, Fax +49 7062 9066-20  
 info@wma-sb.de or wma-sb@t-online.de, <http://www.wma-sb.de>

Cable-coaxial-2



# Connection cable

Version: 2011-01

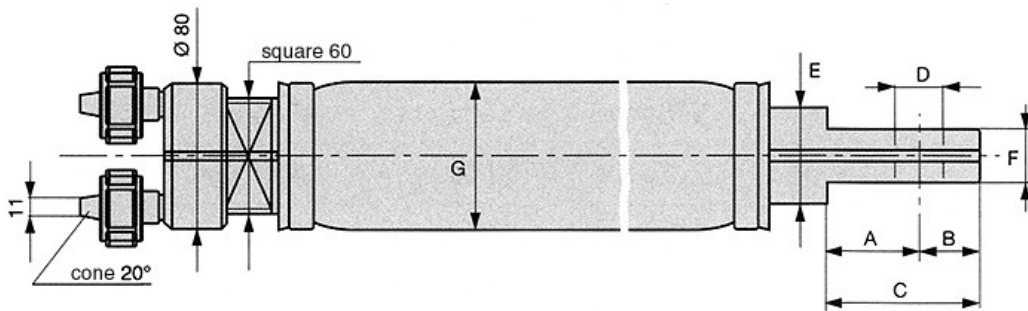


Cord diameter 0.20 mm

	A	B	C	D	E	F	G
320 mm <sup>2</sup> (2x160)	16.5	37.0	19	33	52	52	20
400 mm <sup>2</sup> (2x200)	16.5	40.5	19	33	52	56	20
500 mm <sup>2</sup> (2x250)	16.5	44.5	19	33	52	60	20
600 mm <sup>2</sup> (2x300)	16.5	49.0	28	39	67	66	22
700 mm <sup>2</sup> (2x350)	16.5	49.0	28	39	67	66	22
800 mm <sup>2</sup> (2x400)	16.5	58.0	28	39	67	72	22
850 mm <sup>2</sup> (2x425)	16.5	58.0	28	39	67	72	22
900 mm <sup>2</sup> (2x450)	16.5	58.0	28	39	67	72	22

Length from 800 up to 3000 mm

## Type B2



Cord diameter 0.10 mm

	A	B	C	D	E	F	G
700 mm <sup>2</sup> (2x350)	39	28	67	16.5	50	22	66
800 mm <sup>2</sup> (2x400)	39	28	67	16.5	58	22	72
850 mm <sup>2</sup> (2x425)	39	28	67	16.5	58	22	72
900 mm <sup>2</sup> (2x450)	39	28	67	16.5	58	22	72

Length from 800 up to 2000 mm

We reserve the right to make changes which are in the interest of technical progress.

© by WMA Schmidt & Bittner GmbH, Baumwaide 23, D-74360 Illfeld-Auenstein, Tel. +49 7062 9066-0, Fax +49 7062 9066-20  
 info@wma-sb.de or wma-sb@t-online.de, <http://www.wma-sb.de>