



Welding Automation

Individual and customised solutions

Date: 09-2020

Welding Automation

With WMA you will have a reliable partner who can implement any specific requests for welding machines. You will receive everything from one source: task definition, planning, production and commissioning.

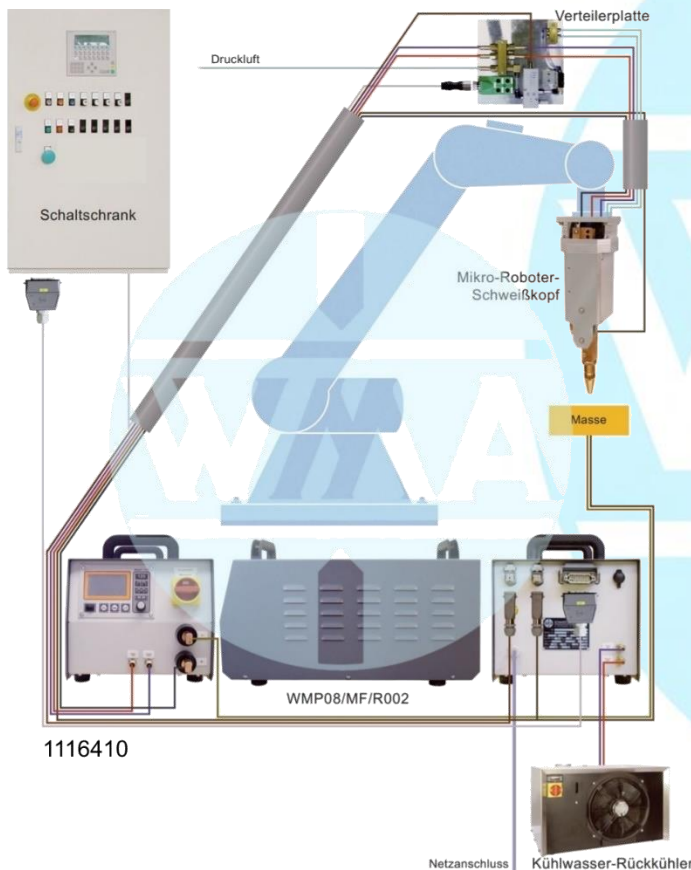


Product Areas:

- Robotic Welding Cells
- Spot and Projection Machines
- NC-Machines
- Portal Machines

- Feeder Units
- Design Elements and Installation
- Changing and Filing Machines
- Cap Service Centre

Robotic Welding Cells



The micro-robot welding cell for spot welding thin sheets of metal.

Due to the base frame the micro welding cell can be located and transported very easy at any time



WMA reserves the right to make any technical changes in the interest of progress.

© by WMA Schmidt & Bittner GmbH, Baumwaide 23, D-74360 Ilsfeld-Auenstein, Phone +49 7062 9066-0, Fax+49 7062 9066-20
info@wma-sb.de, www.wma-sb.de



Welding Automation

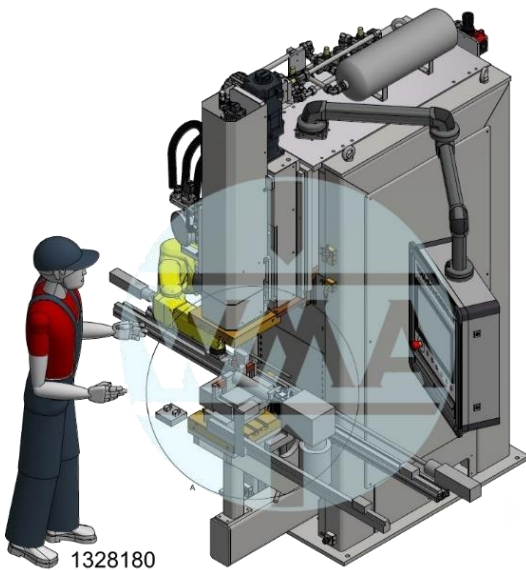
Individual and customised solutions

Date: 09-2020

Robotic Welding Cells

Special model: Medium frequency projection welding machine

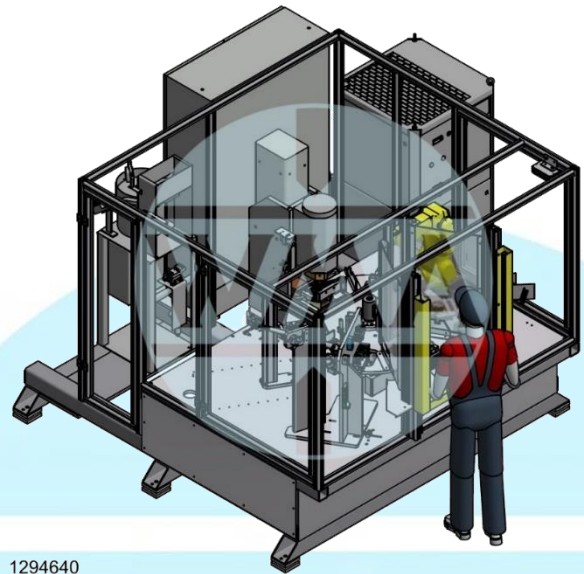
with a special press table and robot handling for positioning the welding sockets and robot control



1328180

Turntable machines

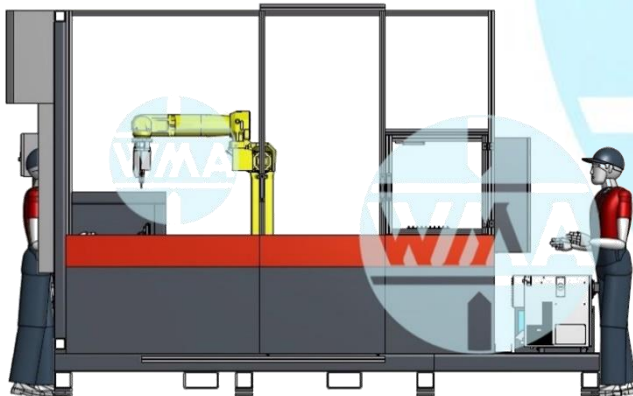
with six divisions, a welding station with two welding cylinders, a feeding station for double nut feeding and a camera to monitor the parts



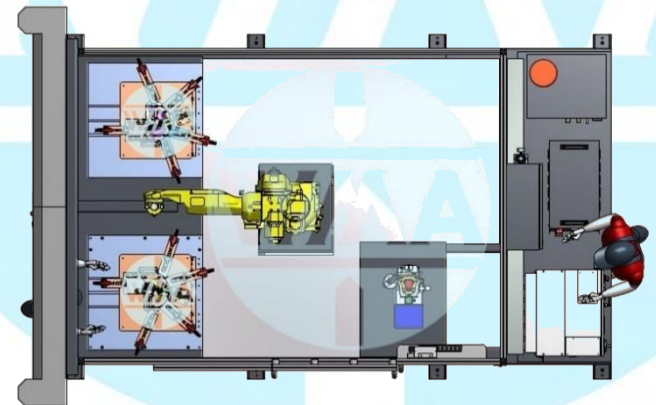
1294640

Robotic micro welding cell

Industrial robot with micro welding head



15919-B000



15919-B000

WMA reserves the right to make any technical changes in the interest of progress.

© by WMA Schmidt & Bittner GmbH, Baumwaide 23, D-74360 Ilsfeld-Auenstein, Phone +49 7062 9066-0, Fax+49 7062 9066-20

info@wma-sb.de, www.wma-sb.de



Welding Automation

Individual and customised solutions

Date: 09-2020

Robotic Welding Cells



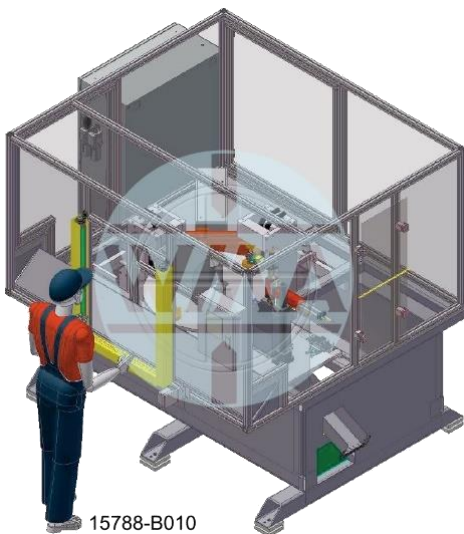
Further examples



Spot and Projection Machines

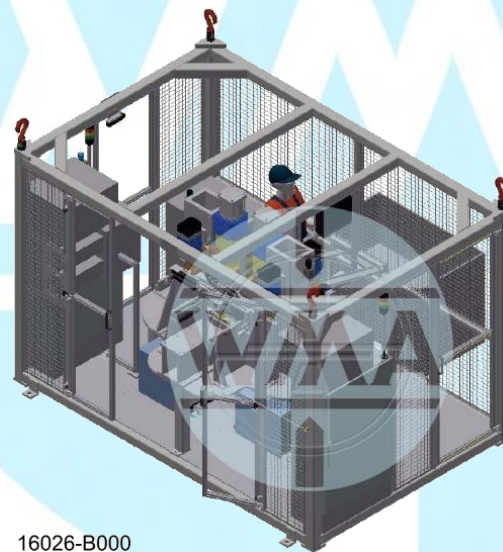
Turntable machines

with a rotary indexing table, camera monitoring in the insertion area, one-way monitoring, removal handling with a gripper and a safety light curtain



Press machine

Special machine consisting of assemblies, the base frame with transport straps for forklift trucks and a run-out lane with component flaps

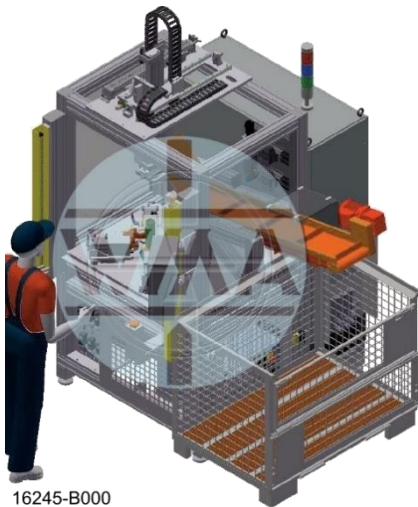




Spot and Projection Machines

Projection machines

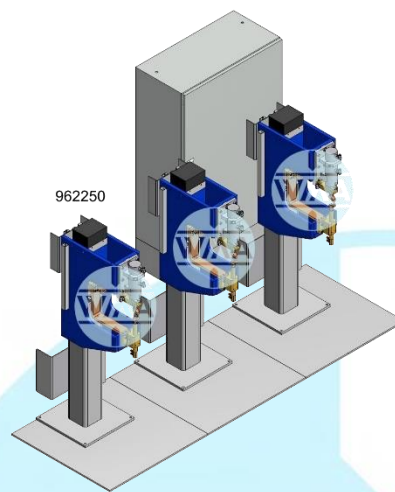
Special spot welding machine with four welding cylinders on an adjustment plate. Removal Handling with pressure cylinders, gripper and a safety light curtain



16245-B000

C-frame spot welding machine

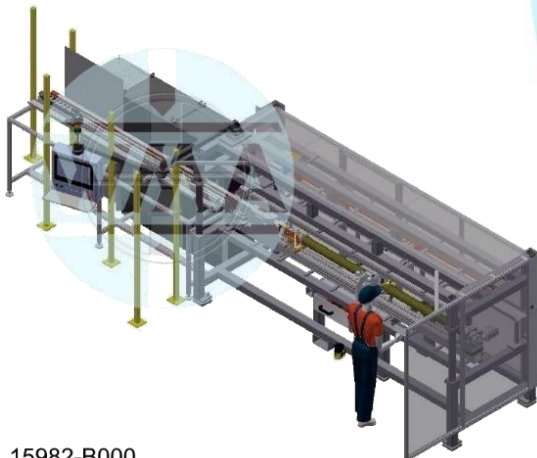
separate installation of the c-frames with base and stand possible as well as a remote programme selection for controls



962250

Tube welding machine

Special spot welding machine, base frame with transport straps for pallet or forklift trucks, protective enclosure with light curtain in the insertion area



15982-B000

Seam welding machine with additional equipment

Cross seam welding machine with bellows support



15897-01-B000



Welding Automation

Individual and customised solutions

Date: 09-2020

Spot and Projection Machines

Retaining straps for fuel tank

Flaps are spotted on the left and right in different areas



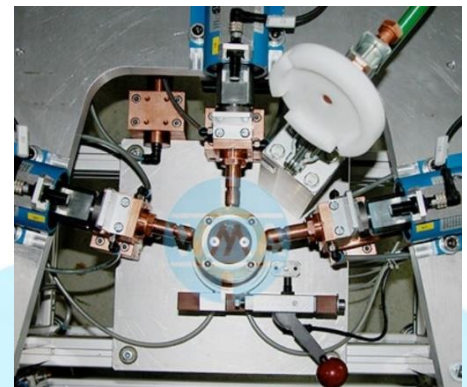
C-frame spot machine

Assembly for a special welding machine

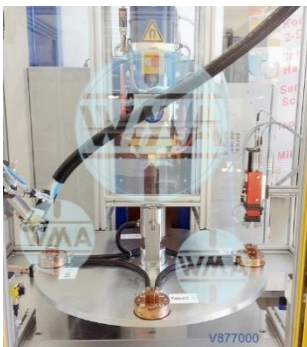
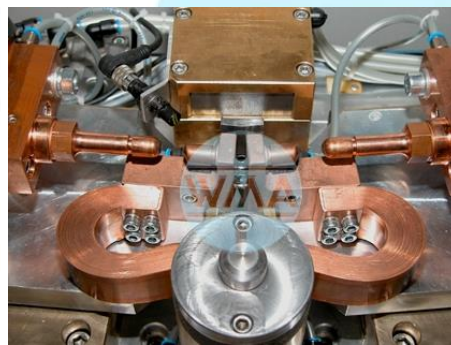


Welding machine for exhaust gas technology

Connects the inner pot with the outer pot with three welding spots in only three seconds



Further examples



WMA reserves the right to make any technical changes in the interest of progress.

© by WMA Schmidt & Bittner GmbH, Baumwaide 23, D-74360 Ilsfeld-Auenstein, Phone +49 7062 9066-0, Fax+49 7062 9066-20

info@wma-sb.de, www.wma-sb.de



Welding Automation

Individual and customised solutions

Date: 09-2020



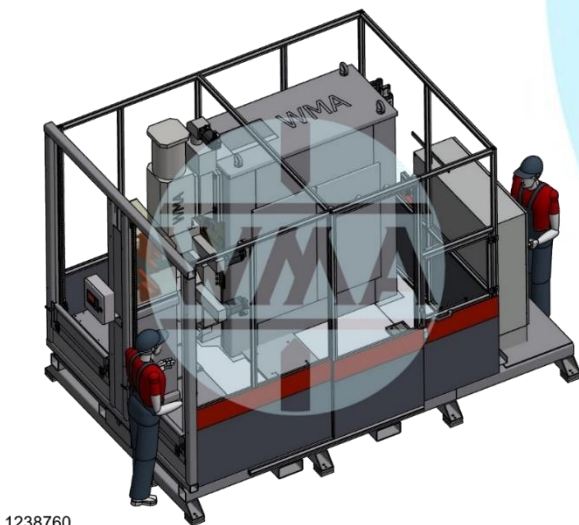
NC-Machines

NC-welding machine

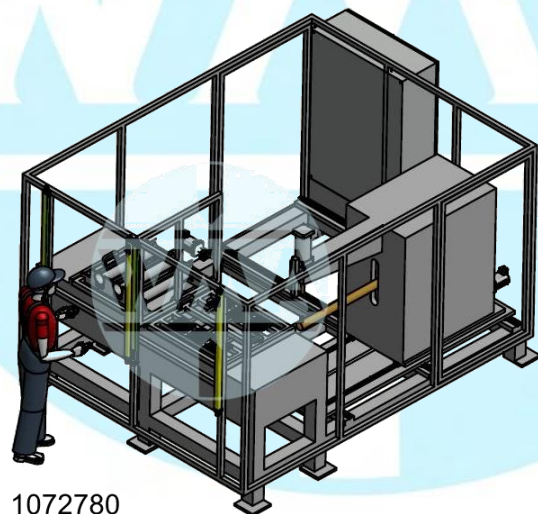
with a swivel head for different welding tasks. For example, weld nuts, wire connections and spot welds

NC-welding machine

to weld longitudinal point automatically. For example, filter technology or cylinder anodes and flat anodes



1238760



1072780

WMA reserves the right to make any technical changes in the interest of progress.

© by WMA Schmidt & Bittner GmbH, Baumwaide 23, D-74360 Ilsfeld-Auenstein, Phone +49 7062 9066-0, Fax+49 7062 9066-20

info@wma-sb.de, www.wma-sb.de



Welding Automation

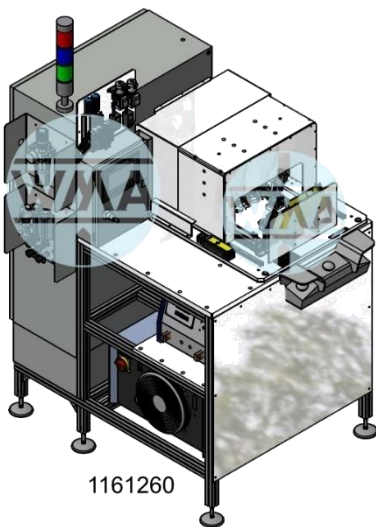
Individual and customised solutions

Date: 09-2020

NC-Machines

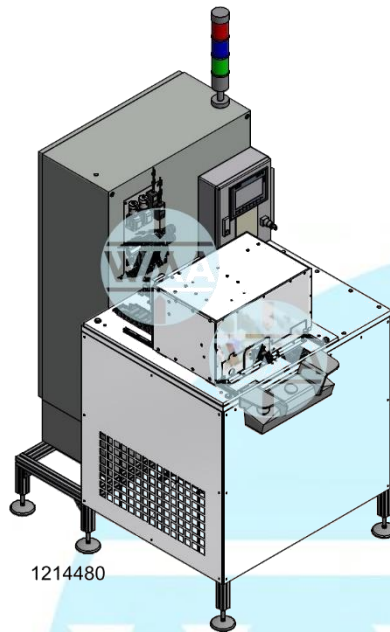
NC-welding machine

Special spot welding machine for fixing type plates. Welding task: 0.8 mm fixing type plate on an 0.4 mm insulating shell with four welding spots



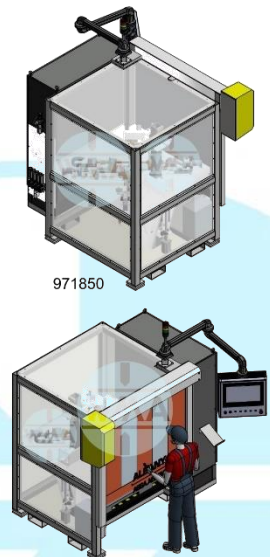
NC-welding machine

Special spot welding machine. Welding task: fixing two 0.05 mm thick metal sheets on a holder with four welding spots



NC-welding machine

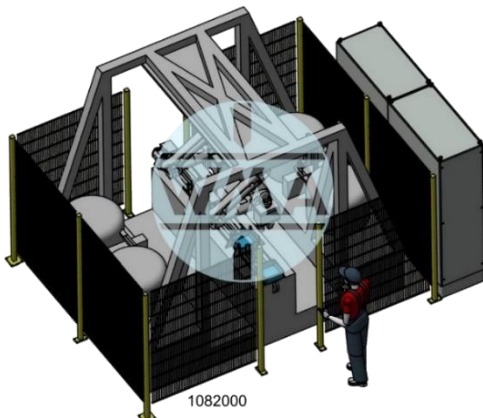
Special welding machine for spot welding fabric filters and fabric cylinders with the following dimensions: 6-160 mm diameter, 10-500 mm cylinder length, 0.005-1 mm fabric



Portal Machines

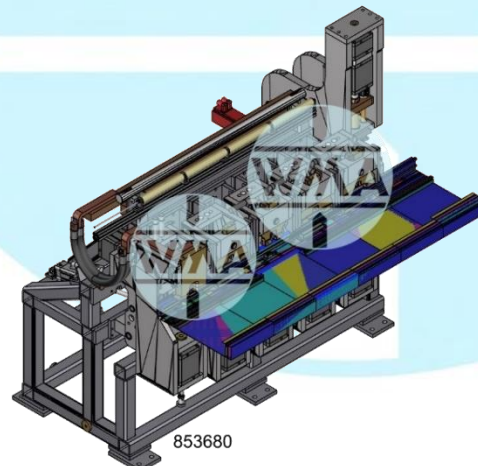
Portal welding machine

Spot welding with robot guns



Portal welding station

for door frames and NC-linear axis systems for six components



WMA reserves the right to make any technical changes in the interest of progress.

© by WMA Schmidt & Bittner GmbH, Baumwaide 23, D-74360 Ilsfeld-Auenstein, Phone +49 7062 9066-0, Fax+49 7062 9066-20
info@wma-sb.de, www.wma-sb.de

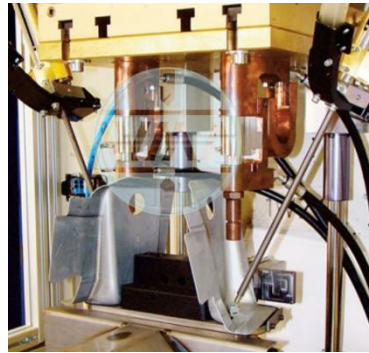


Welding Automation

Individual and customised solutions

Date: 09-2020

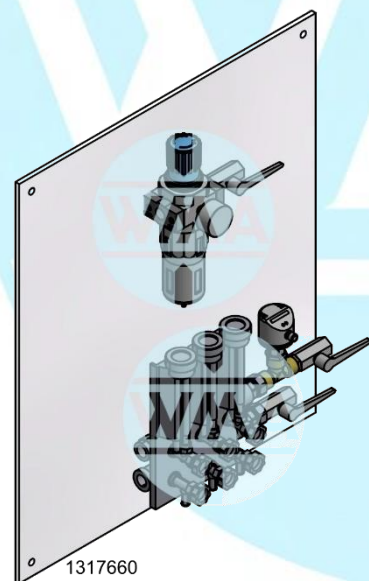
Feeder Units



Automatic feeder units

for welding nuts, welding screws and welding bolts

Design Elements and Installation



HIP (Hall Installation Panel)

for the supply of pneumatic robot spot welding guns

WMA reserves the right to make any technical changes in the interest of progress.

© by WMA Schmidt & Bittner GmbH, Baumwaide 23, D-74360 Ilsfeld-Auenstein, Phone +49 7062 9066-0, Fax+49 7062 9066-20

info@wma-sb.de, www.wma-sb.de

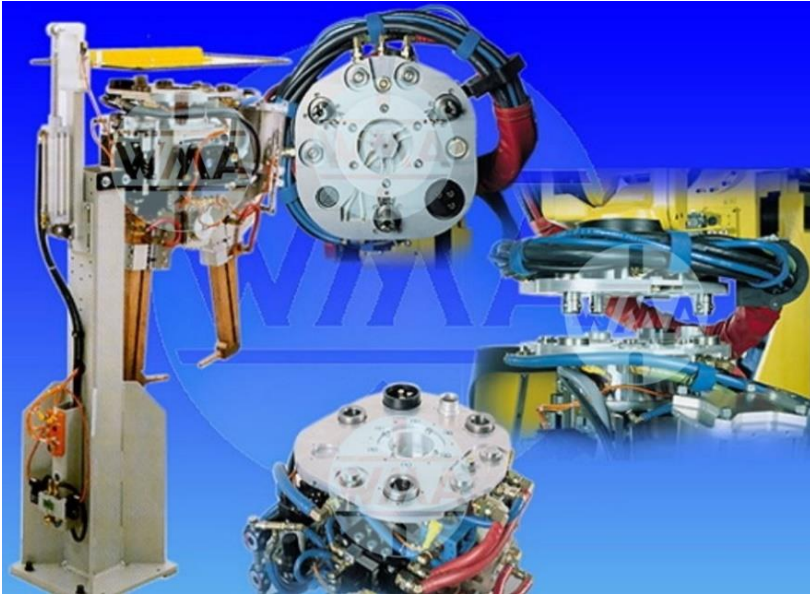


Welding Automation

Individual and customised solutions

Date: 09-2020

Changing and Filing Machines



Changing and filing machines

for the quick change of welding tools

Cap Service Centre



Automatic cap cutters and cap changer

for milling and re-milling electrode caps

